

1100

900

200

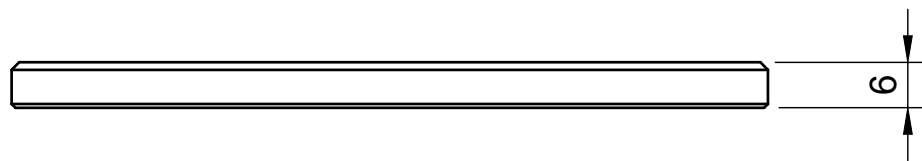
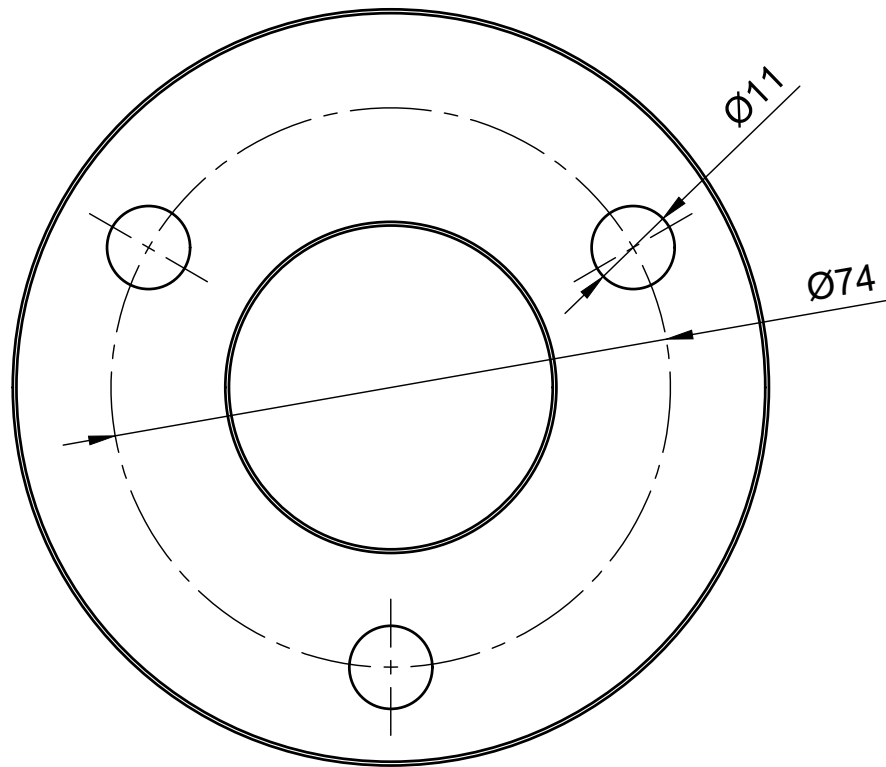
5.5

R21.2

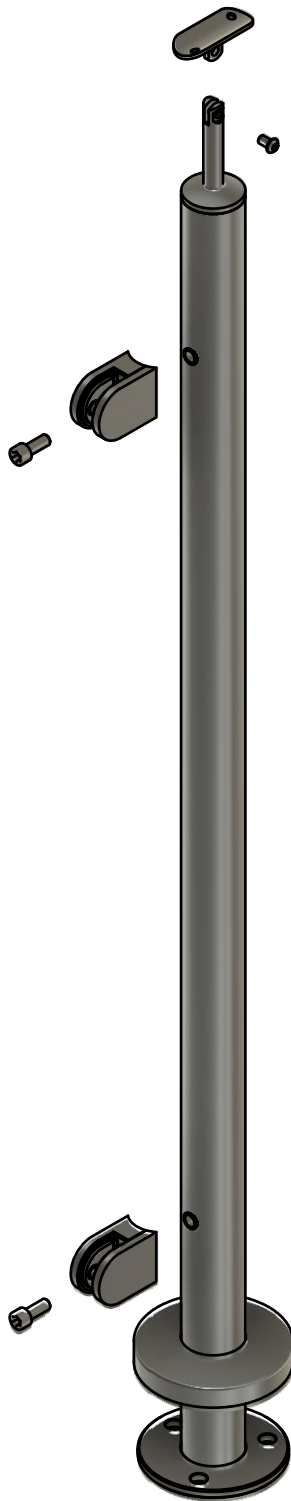
80.5

Ø105

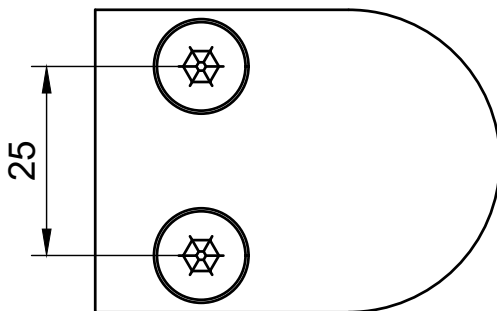
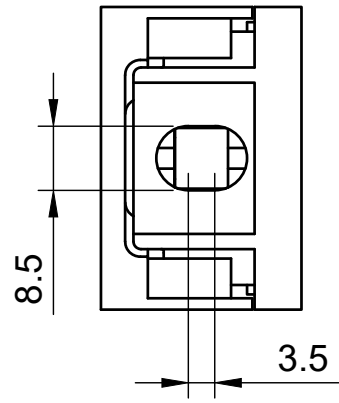
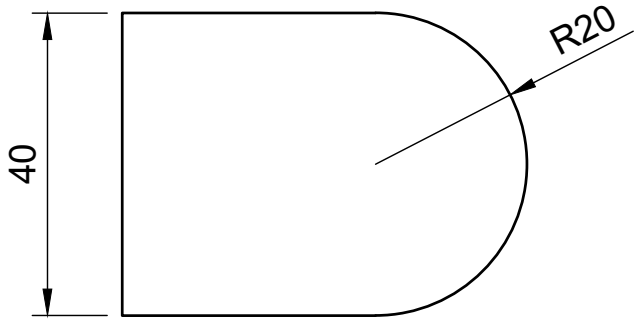
Dept. rapa GmbH	Technical reference	Created by T. Jelloneck 18.06.2021	Approved by	
		Document type	Document status	
		Title Endpfosten Rechts	DWG No.	
		Rev.	Date of issue	Sheet 1/3



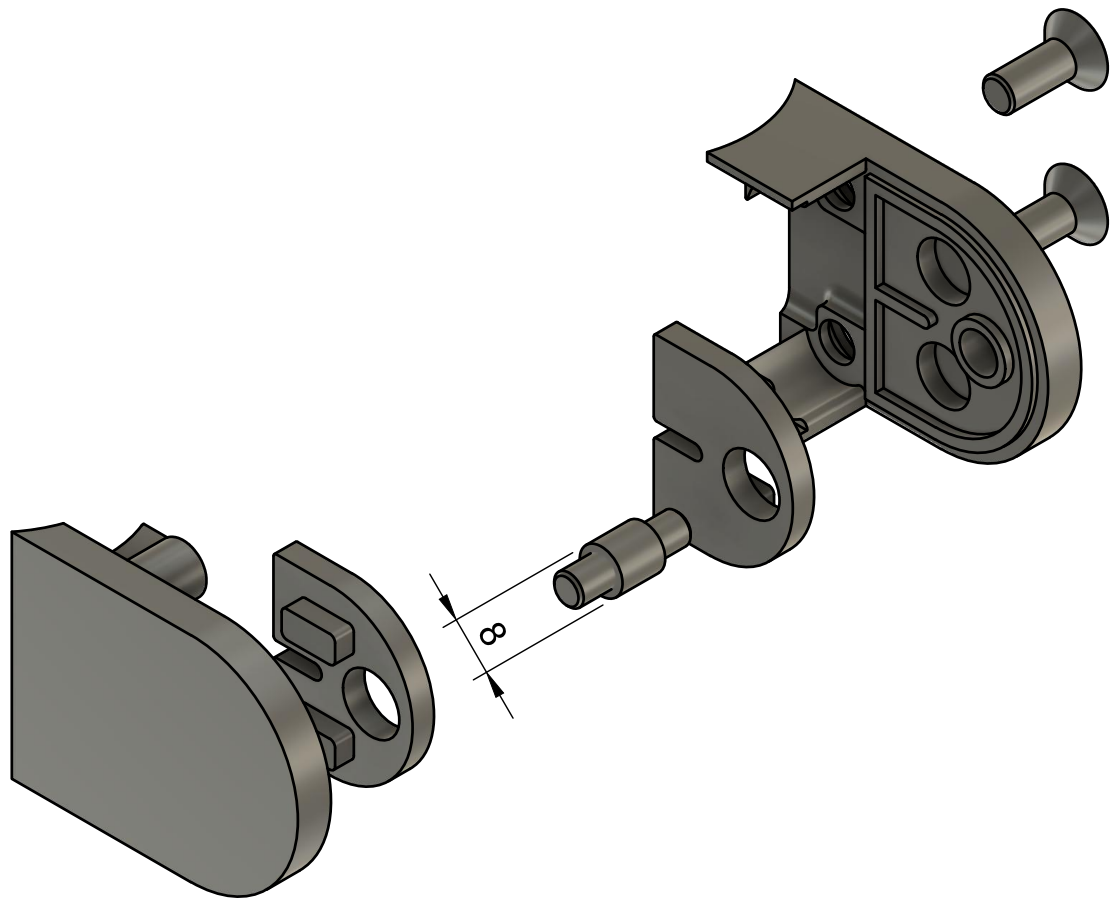
Dept. rapa GmbH	Technical reference	Created by T. Jelloneck	18.06.2021		Approved by
		Document type	Document status		
		Title Endpfosten Rechts Fußplatte	DWG No.		
		Rev.	Date of issue	Sheet 2/3	



Dept. rapa GmbH	Technical reference	Created by T. Jelloneck	18.06.2021		Approved by
		Document type		Document status	
		Title Endpfosten Rechts		DWG No.	
		Rev.	Date of issue	Sheet 3/3	



Dept. rapa GmbH	Technical reference	Created by T. Jelloneck 16.06.2021	Approved by	
		Document type	Document status	
		Title Glashalter	DWG No.	
		Rev.	Date of issue	Sheet 1/2



Dept. rapa GmbH	Technical reference	Created by T. Jelloneck	16.06.2021		Approved by
		Document type		Document status	
		Title Glashalter		DWG No.	
		Rev.	Date of issue	Sheet 2/2	