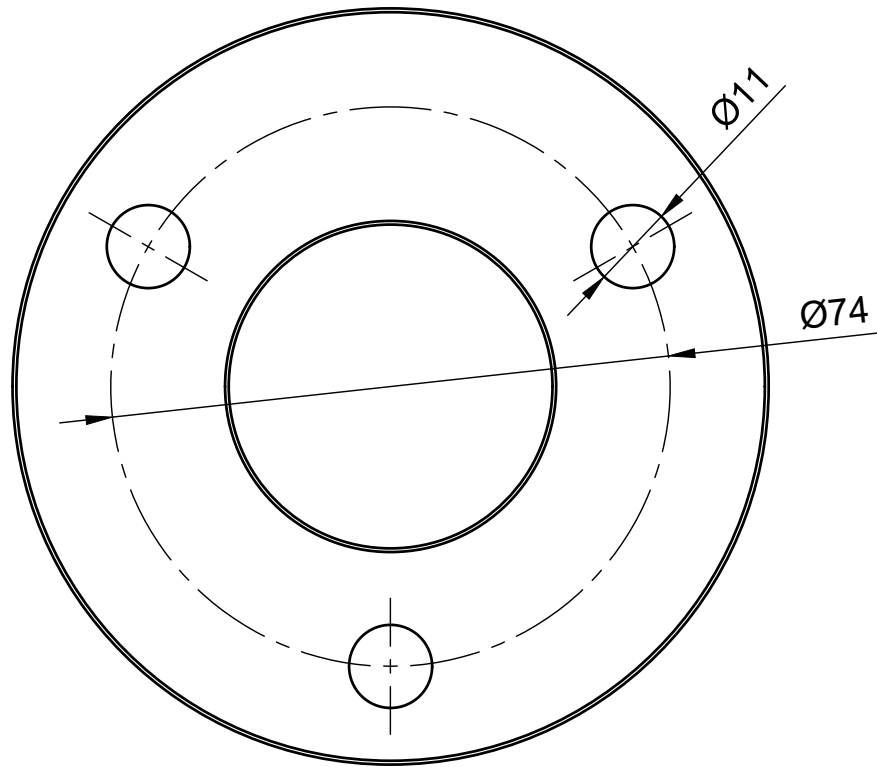
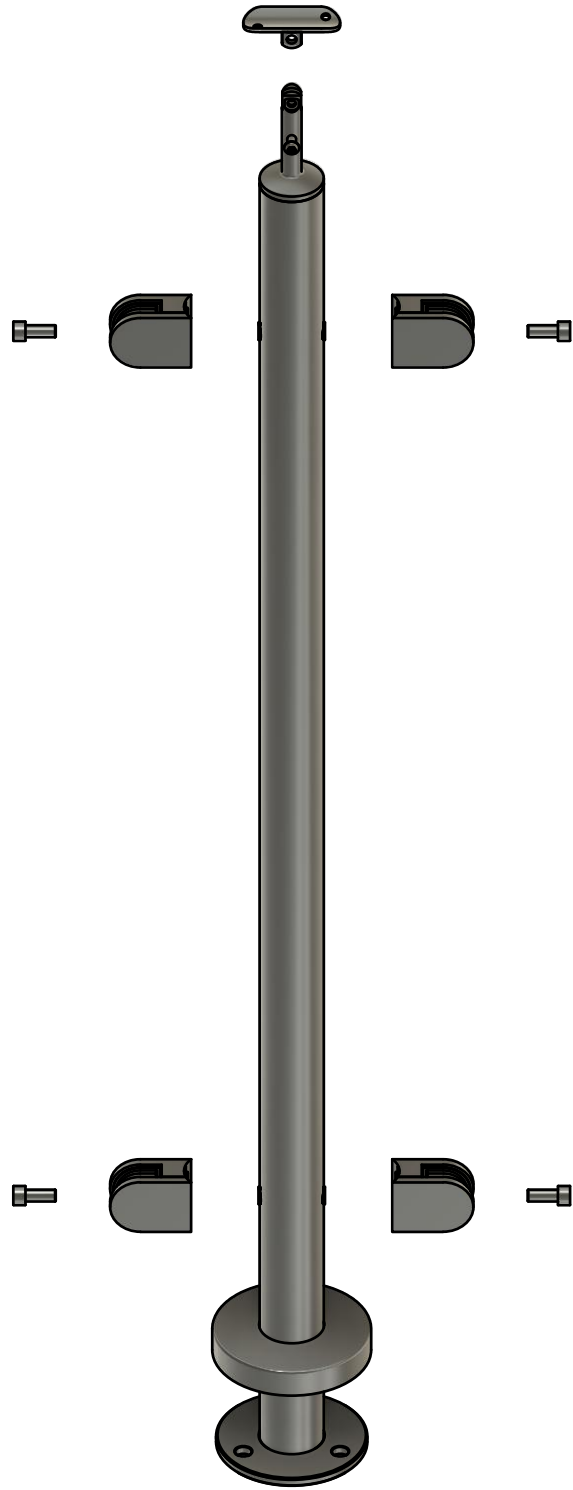


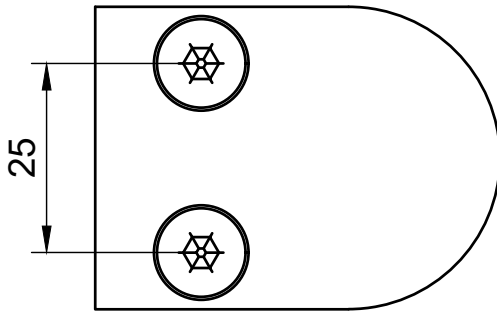
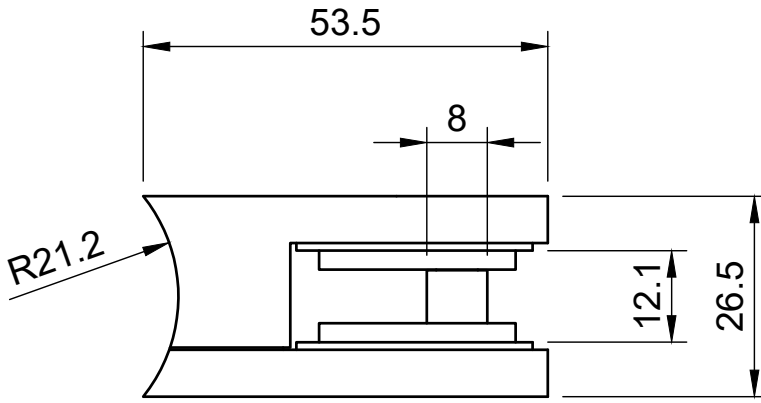
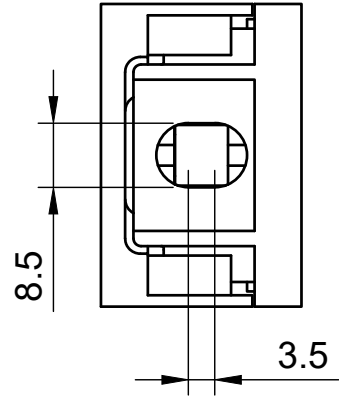
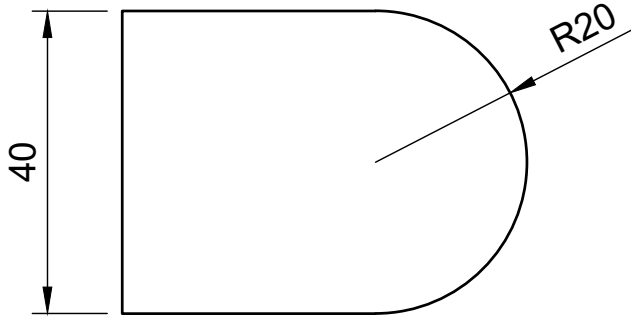
Dept. rapa GmbH	Technical reference	Created by T. Jelloneck	18.06.2021	Approved by
	Document type	Document status		
	Title <b>Mittelpfosten</b>	DWG No.		
	Rev.	Date of issue	Sheet 1/3	



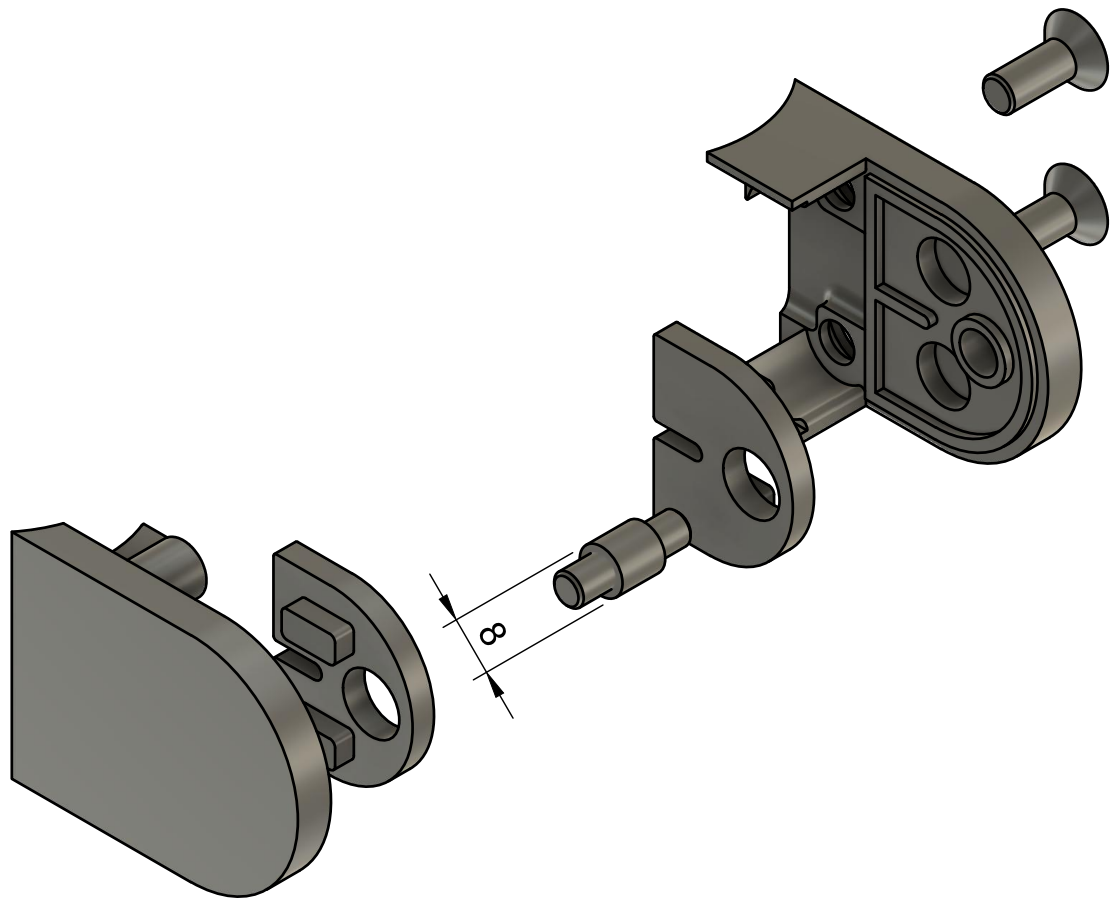
Dept. rapa GmbH	Technical reference	Created by T. Jelloneck	18.06.2021		Approved by
		Document type		Document status	
		Title Mittelpfosten Fußplatte		DWG No.	
		Rev.	Date of issue	Sheet 2/3	



Dept. rapa GmbH	Technical reference	Created by T. Jelloneck    18.06.2021	Approved by	
		Document type	Document status	
		Title <b>Mittelpfosten</b>	DWG No.	
		Rev.	Date of issue	Sheet <b>3/3</b>



Dept. rapa GmbH	Technical reference	Created by T. Jelloneck 16.06.2021	Approved by	
		Document type	Document status	
		Title <b>Glashalter</b>	DWG No.	
		Rev.	Date of issue	Sheet 1/2



Dept. rapa GmbH	Technical reference	Created by T. Jelloneck	16.06.2021	Approved by
		Document type	Document status	
		Title <b>Glashalter</b>	DWG No.	
		Rev.	Date of issue	Sheet 2/2