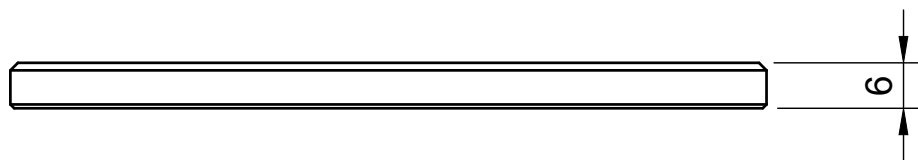
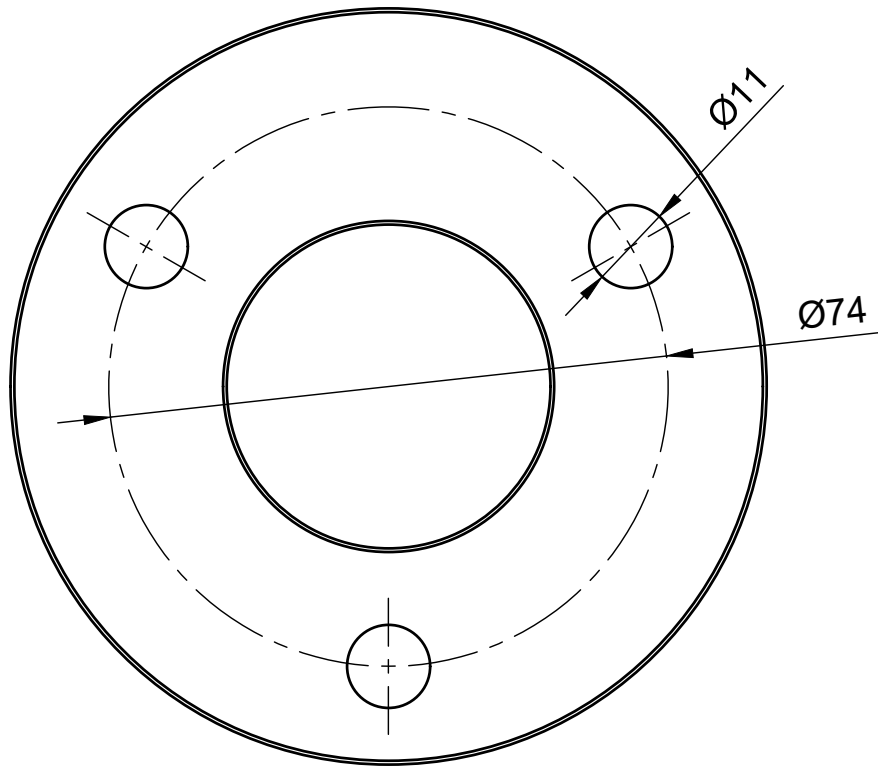
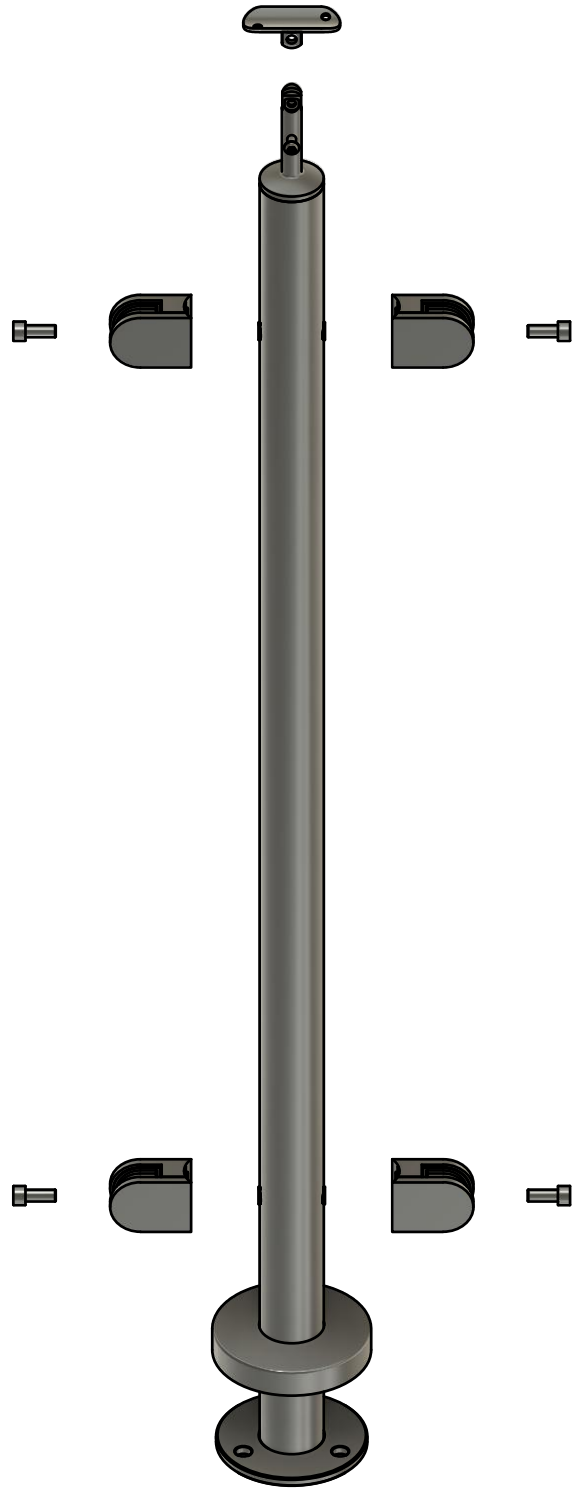


| | | | | | |
|---|-------------------------------|----------------------------|--------------|--|-------------|
| Dept. rapa GmbH | Technical reference | Created by T. Jelloneck | 18.06.2021 | | Approved by |
|  | Document type | Document status | | | |
| | Title Mittelpfosten | DWG No. | | | |
| | Rev. | Date of issue | Sheet 1/3 | | |



| | | | | | |
|--------------------|---------------------|-------------------------------------|---------------|-----------------|-------------|
| Dept. rapa GmbH | Technical reference | Created by T. Jelloneck | 18.06.2021 | | Approved by |
| | | Document type | | Document status | |
| | | Title Mittelpfosten Fußplatte | | DWG No. | |
| | | Rev. | Date of issue | Sheet 2/3 | |



| | | | | |
|--------------------|---------------------|--|-----------------|---------------------|
| Dept. rapa GmbH | Technical reference | Created by T. Jelloneck 18.06.2021 | Approved by | |
| | | Document type | Document status | |
| | | Title Mittelpfosten | DWG No. | |
| | | Rev. | Date of issue | Sheet 3/3 |